



With over 50 years of experience, Siat is an essential player in transit packaging solutions, designing and manufacturing complete wrapping, strapping, and carton sealing solutions. Offering a comprehensive and versatile product portfolio along with global service and engineering support, Siat covers a wide spectrum of application requirements.

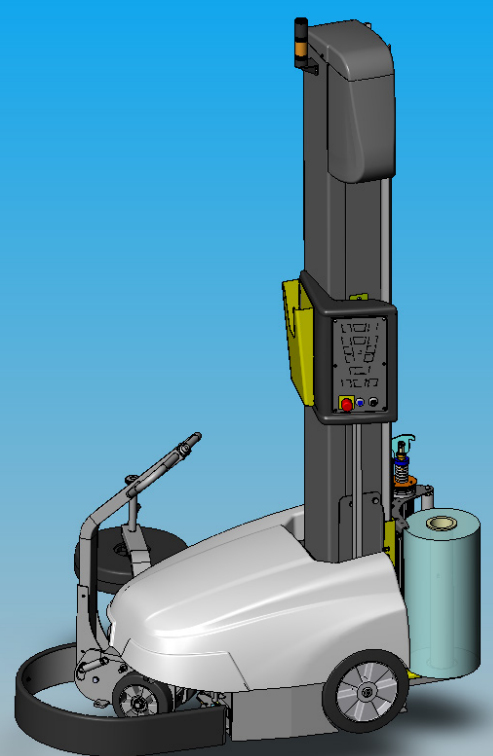
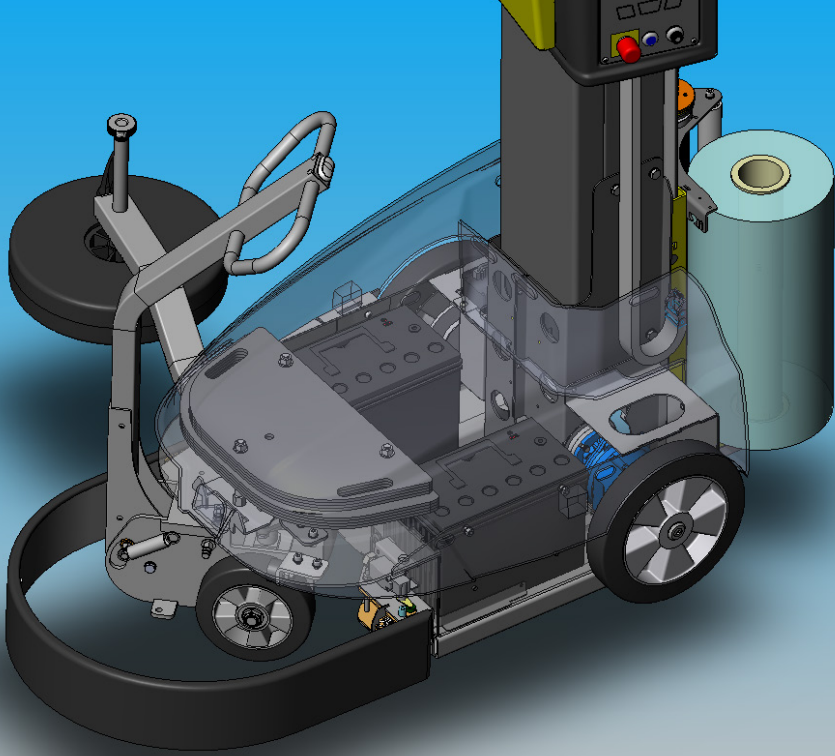


OVERVIEW

BeeWrap⁺ is a mobile wrapping machine used for palletizing goods with stretch film. It is suitable for heavy-weight items, unusual shapes, and loads with large dimensions. It is equipped with a digital control panel that allows the user, in an easy and functional way, to alter various parameters and set-up customized wrapping cycle programs.



BeeWrap⁺ is equipped with two DRY CELL AGM EV27A-A batteries. These batteries guarantee a higher working autonomy of up to 400 cycles per charge. DRY CELL AGM batteries are safer for the machine due to the absence of battery acid. In addition, they are ideally suited for mobile applications, and are particularly resistant to vibration.



SYSTEM

- 2 DRY CELL AGM EV27A-A batteries
- CBHD2 24V 20A SPE Charger

APPLICATION

Semi-Automatic Wrapping Machines

REQUIREMENT

- Increased battery runtime
- Maintenance-free, nonspillable battery
- Vibration resistance
- CE compliant



RESILIENCE



ENHANCED RUNTIME



EXTENDED SERVICE LIFE



EXTREME VIBRATION RESISTANCE



RELIABLE, SAFE, CERTIFIED

THE DISCOVER DIFFERENCE

SIAT worked with Discover Battery and fitted DRY CELL AGM batteries as standard in their BeeWrap⁺ machines. With the deployment of DRY CELL AGM batteries, SIAT provides increased productivity to their customers, improving performance from 300 to 400 wrapped pallets in a single charge, and reducing recharge times.

After upgrading to DRY CELL AGM batteries, SIAT enhanced safety within the machine and addressed maintenance costs related to acid leaks, gassing and terminal corrosion common on flooded lead-acid batteries. DRY CELL AGM batteries are maintenance-free, nonspillable and no-gassing.

