

Discover Lithium Battery Fuel Gauge and SOC Indicator TYPE-A Battery Discharge Indicator (CAN Bus) - 950-0006-B

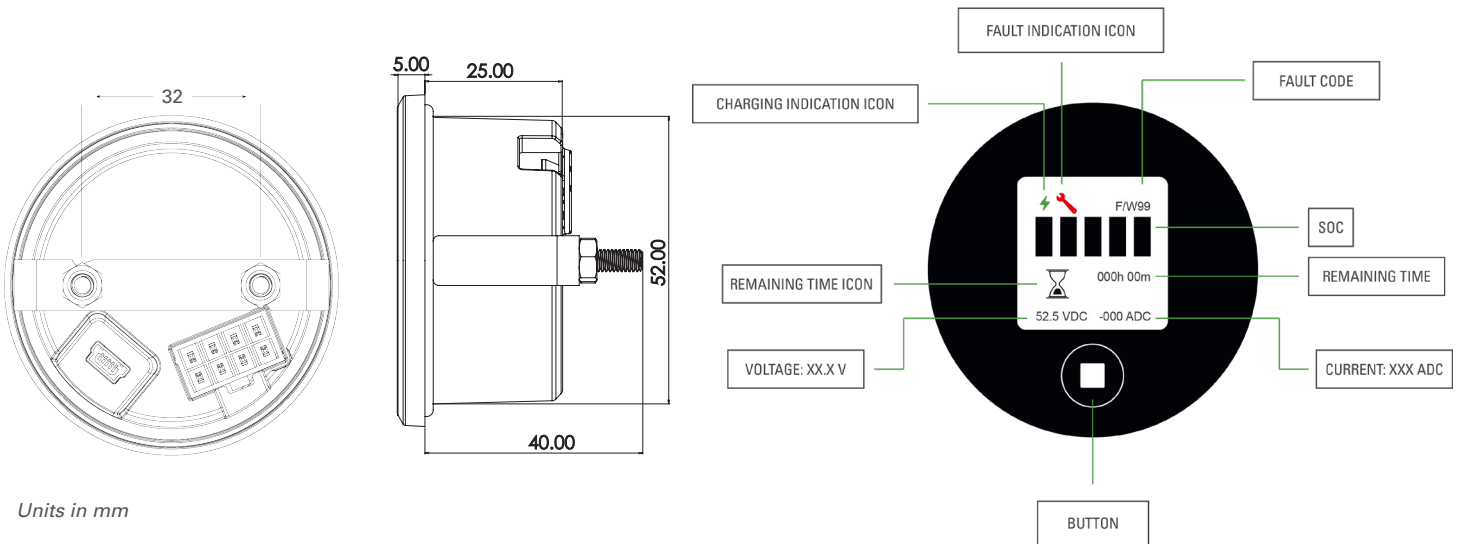
The Type A Battery Discharge Indicator (BDI) communicates with Discover Lithium batteries over CAN Bus and displays State-of-Charge, watts, faults/warning codes, time-to-go, and number of batteries on the network on an LCD screen. The TYPE-A BDI will provide aggregate SoC for up to 20 Discover Lithium Batteries. Standard 52 mm circular housing rated IP 30, with an installed frontal rating of IP 65.

The TYPE-A BDI is also available in a kit with a 1.8M LYNK Network Cable (**950-0044-B**) for use with Lithium PROFESSIONAL batteries.

FEATURES

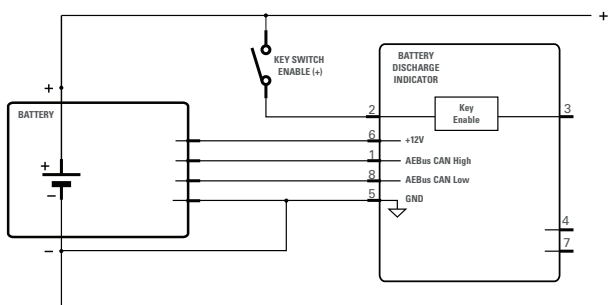
- LCD Display
- 5 bar State-of-Charge Battery Fuel Gauge
- Time-to-Go Readout
- Watt Readout
- Discharge Charge Indicator
- Illuminated Display (button on the gauge turns ON/OFF the backlight)
- U-bolt and M4 Nut Fastener
- Key Switch Enable
- Fault & warning codes

MECHANICAL DRAWING



Units in mm

ELECTRICAL DRAWING



PIN ASSIGNMENTS

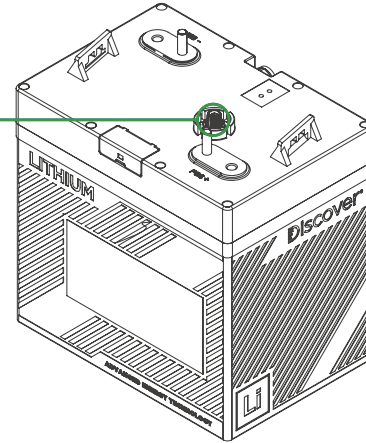
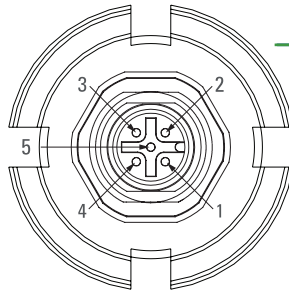
PIN	Function
1	LYNK Bus (AEBus) CAN High
2	Key Switch Enable (+)
5	Battery / LYNK Bus (AEBus) CAN GND
6	LYNK Bus (AEBus) +12V
8	LYNK Bus (AEBus) CAN Low

BATTERY PINOUT DIAGRAM

PINOUT DIAGRAM FOR CONNECTION TO LITHIUM PROFESSIONAL BATTERIES

IEC M12 A-Coding 5 Pin

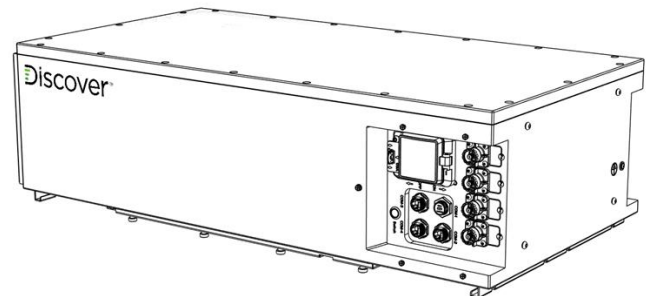
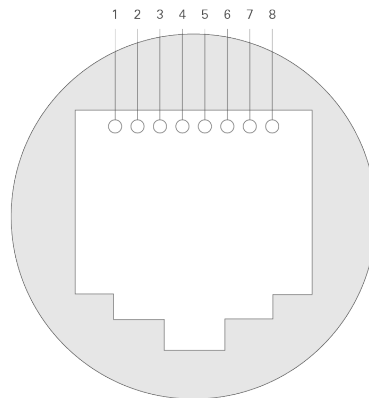
PIN	Function
1	ON/OFF Switch
2	LYNK Bus CAN L
3	LYNK Bus CAN H
4	LYNK Bus 12V +
5	LYNK Bus GND



PINOUT DIAGRAM FOR CONNECTION TO LITHIUM MOBILE BATTERIES

IEC M12 A-Coding 5 Pin

PIN	Function
1	CAN 12V
2	CAN 12V
3	Remote Key Switch
4	CAN High
5	CAN Low
6	Remote Key Switch
7	CAN Ground
8	CAN Ground



FAULT/WARNING CODES

Code	Description	AEBus Fault number
0	No Fault	0
1	Low Voltage	1
2	High Voltage	2
3	Low Temperature	3
4	High Temperature	4
5	High Discharge Current	5
6	High Charge Current	6
7	Load Qualification	7

Code	Description	AEBus Fault number
8	Blown Fuse	8
9	High BMS Temperature	9
10	Low Temperature Charge	10
11	Hardware error 1	11
12	Hardware error 2	12
13	Hardware error 3	13
14	Hardware error 4	14
15	Hardware error 5	15

