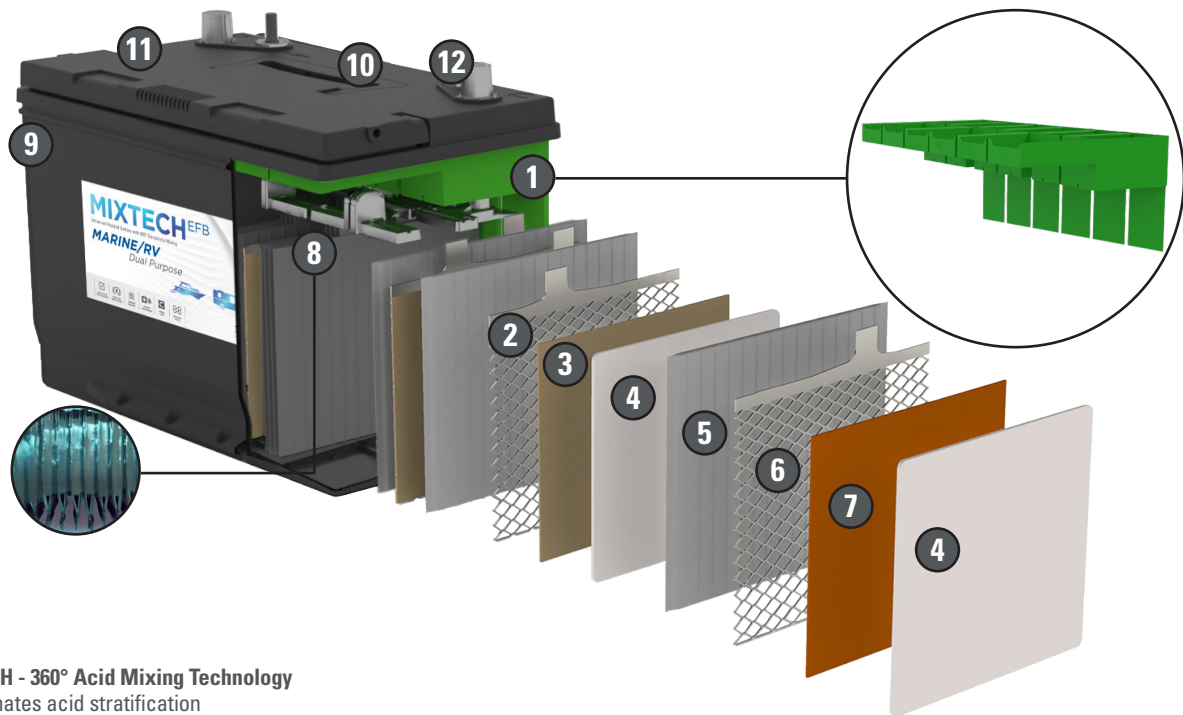


Discover®

MIXTECH^{EFB}

MARINE/RV *Dual Purpose*

THE MOST SIGNIFICANT IMPROVEMENT IN A BATTERY IN 50 YEARS.



MIXTECH - 360° Acid Mixing Technology

- Eliminates acid stratification
- Minimizes sulphation preventing premature capacity loss
- Ensures uniform material utilization guaranteeing longer high performance life
- Maintains Dynamic Charge Acceptance essential for highly equipped vehicles with intense driving schedules
- Delivers longer battery life in extreme temperatures

1

2

Thick Enhanced Negative Grids with increased active material density and Carbon additives improve plate strength, cycle life and Dynamic Charge Acceptance delivering a significant reduction in charge time.

3

4

Fiber-lock Scrim, embedded into the active material on each side of the + and - plates, increases active material bonds and reduces material erosion.

Envelope (+) Separators

- Reduce internal resistance and short circuits
- Provides active mass stability and quicker recharging over conventional batteries

5

6

Enhanced Calcium Tin Alloys in the Positive Grid

- Provide improved corrosion resistance and life in dual purpose use
- Increase strength and Heavy Duty reliability

7

Increased active material density, additives, and red lead that increase initial capacity and active material to grid bonds, reduce internal resistance, promote high cranking power and improve high cycle performance and life

8

Element Bonding provides vibration resistance and helps to resist positive plate growth

9

Reinforced Polypropylene Case utilizes completely sealed cover for true maintenance free performance

10

Built-in suitcase style handles

11

Central Degassing manifold with integrated flame arrestors collect and discharge gas away from terminals improving safety and reducing terminal corrosion. Gases travel through a spider-web like maze within the manifold trapping the water & electrolyte vapors re-combining them back into the battery preventing premature dry out.

12

Dual autopost + stainless steel stud terminal



Na₂SO₄ Sodium Sulphate additives improve the cycle life, charge acceptance and maintenance-free operations