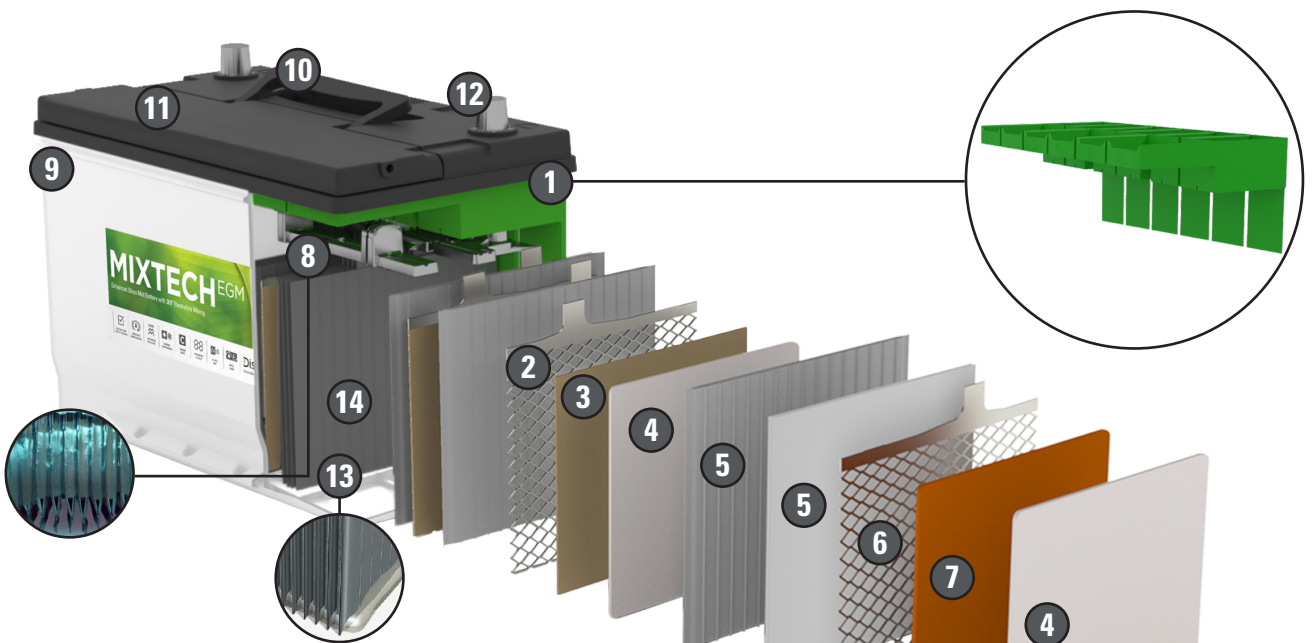


# Discover<sup>®</sup> MIXTECH<sup>EGM</sup>

THE MOST SIGNIFICANT IMPROVEMENT IN A BATTERY IN 50 YEARS.



## MIXTECH - 360° Acid Mixing Technology

- Eliminates acid stratification
- Minimizes sulphation preventing premature capacity loss
- Ensures uniform material utilization guaranteeing longer high performance life
- Maintains Dynamic Charge Acceptance essential for highly equipped vehicles with intense driving schedules
- Delivers longer battery life in extreme temperatures

1

2

**Thick Enhanced Negative Grids** with increased active material density and Carbon additives improve plate strength, cycle life and Dynamic Charge Acceptance delivering a significant reduction in charge time.

3

4

**Fiber-lock Scrim**, embedded into the active material on each side of the + and - plates, increases active material bonds and reduces material erosion.

## Envelope (+) Non-woven AGM Separators

- Reduces internal resistance and promotes quicker recharging ability
- Maximises cell compression requirements and reduces plate shedding
- Provides 3x the cyclic stability and 10x the vibration resistance of conventional batteries

5

6

## Thick Enhanced Calcium / High Tin Positive Grids

- Provide improved corrosion resistance and life in deep cycle/starting applications
- Increase strength and Super Heavy Duty reliability



NaSO<sub>4</sub> Sodium Sulphate additives improve the cycle life, charge acceptance and maintenance-free operations

7

**Increased active material**, additives and **high red lead** content increase initial capacity and active material bonds, promote high sustained voltages under heavy cranking loads and improve deep cycle performance and life

8

**Element Bonding** provides vibration resistance and helps to resist positive plate growth

9

**Reinforced Polypropylene Case** utilizes completely sealed cover for true maintenance free performance

10

Integrated carry handles

11

**Central Degassing** manifold with integrated flame arrestors collect and discharge gas away from terminals improving safety and reducing terminal corrosion. Gases travel through a spider-web like maze within the manifold trapping the water and electrolyte vapors re-combining them back into the battery preventing premature dry out.

12

Cold forged SAE terminals

13

Available **Anchor Bonding** provides plate stability and shock related vibration resistance

14

**Highly Compressed Cell Groups** increase cranking performance & vibration resistance