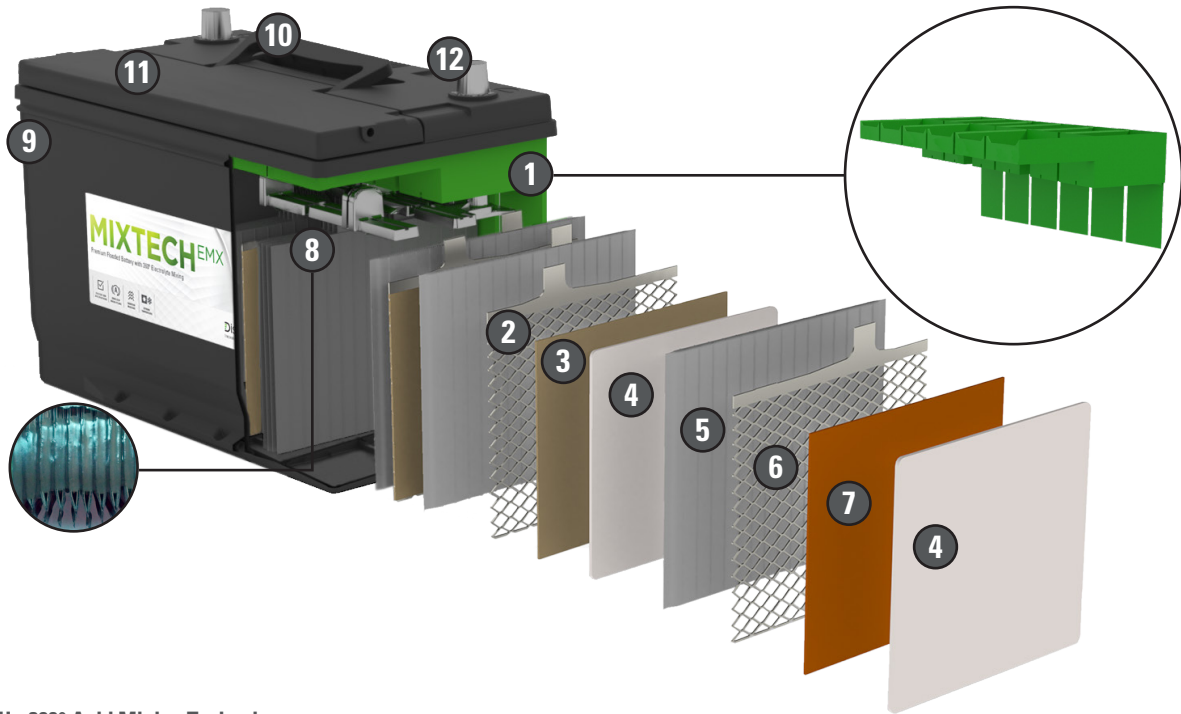


# Discover<sup>®</sup> MIXTECH<sup>EMX</sup>

THE MOST SIGNIFICANT IMPROVEMENT IN A BATTERY IN 50 YEARS.



## MIXTECH - 360° Acid Mixing Technology

- Eliminates acid stratification
- Minimizes sulphation preventing premature capacity loss
- Ensures uniform material utilization guaranteeing longer high performance life
- Maintains Dynamic Charge Acceptance essential for highly equipped vehicles with intense driving schedules
- Delivers longer battery life in extreme temperatures

1

2

3

4

5

6

**Expanded Negative Grids** increase tensile strength of active material bonds

**Increased Negative Active Material** density for improved life

**Fiber-lock Scrim**, embedded into the active material on each side of the + and - plates, increases active material bonds and reduces material erosion.

**Envelope (-) Separators** reduce internal resistance and short circuits

**High purity Calcium Alloy Expanded Positive Grids** increase tensile strength of active material bonds, resist corrosion, and minimize water loss

7

8

9

10

11

12

**Increased Positive Active Material** density and additives increase active material to grid bonds, reduce internal resistance, promote high cranking power and increase performance and life

**Element Bonding** provides vibration resistance and helps to resist positive plate growth

**Reinforced Polypropylene Case** utilizes completely sealed cover for true maintenance free performance

Integrated carry handles

**Central Degassing** manifold with integrated flame arrestors collect and discharge gas away from terminals improving safety and reducing terminal corrosion. Gases travel through a spider-web like maze within the manifold trapping the water & electrolyte vapors re-combining them back into the battery preventing premature dry out.

Cold forged SAE terminals