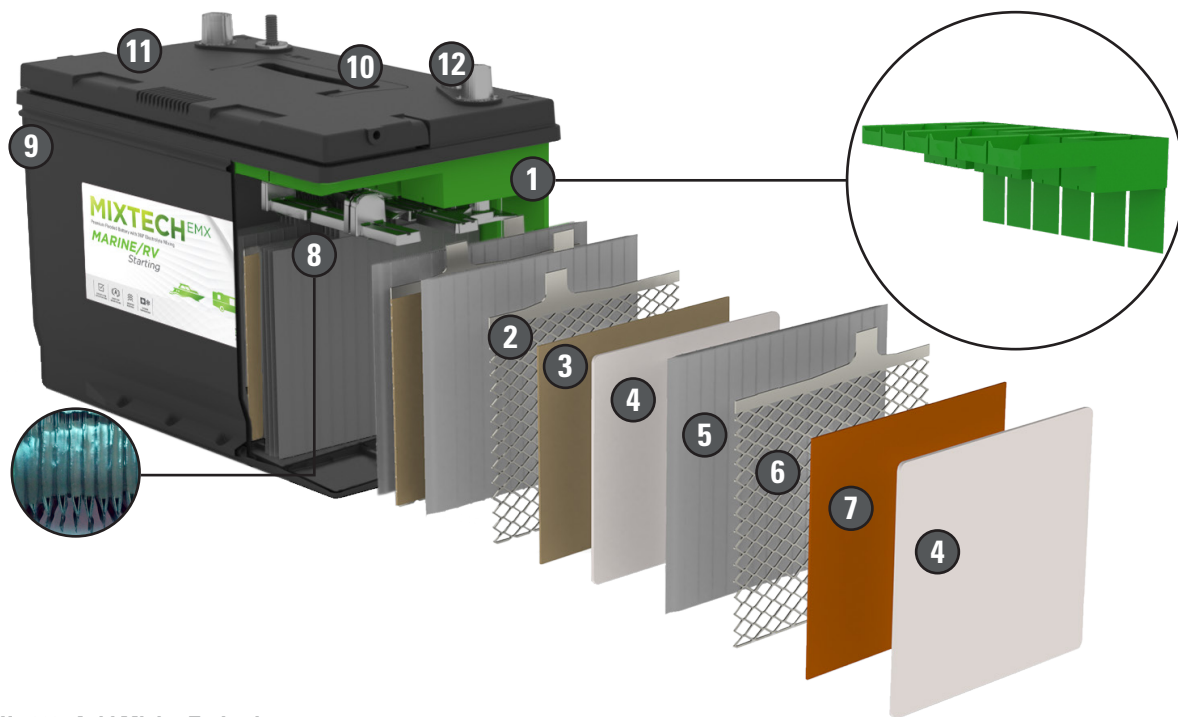


Discover®

MIXTECH^{EMX}

MARINE/RV Starting

THE MOST SIGNIFICANT IMPROVEMENT IN A BATTERY IN 50 YEARS.



MIXTECH - 360° Acid Mixing Technology

- Eliminates acid stratification
- Minimizes sulphation preventing premature capacity loss
- Ensures uniform material utilization guaranteeing longer high performance life
- Maintains Dynamic Charge Acceptance essential for highly equipped vehicles with intense driving schedules
- Delivers longer battery life in extreme temperatures

- 1** **MIXTECH - 360° Acid Mixing Technology**
- 2** **Expanded Negative Grids** increase tensile strength of active material bonds
- 3** **Increased Negative Active Material** density for improved life
- 4** **Fiber-lock Scrim**, embedded into the active material on each side of the + and - plates, increases active material bonds and reduces material erosion.
- 5** **Envelope (-) Separators** reduce internal resistance and short circuits
- 6** **High purity Calcium Alloy Expanded Positive Grids** increase tensile strength of active material bonds, resist corrosion, and minimize water loss

- 7** **Increased Positive Active Material** density and additives increase active material to grid bonds, reduce internal resistance, promote high cranking power and increase performance and life
- 8** **Element Bonding** provides vibration resistance and helps to resist positive plate growth
- 9** **Reinforced Polypropylene Case** utilizes completely sealed cover for true maintenance free performance
- 10** Built-in suitcase style handles
- 11** **Central Degassing** manifold with integrated flame arrestors collect and discharge gas away from terminals improving safety and reducing terminal corrosion. Gases travel through a spider-web like maze within the manifold trapping the water & electrolyte vapors re-combining them back into the battery preventing premature dry out.
- 12** Dual autopost + stainless steel stud terminal