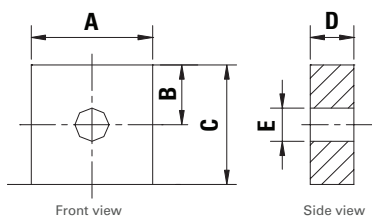


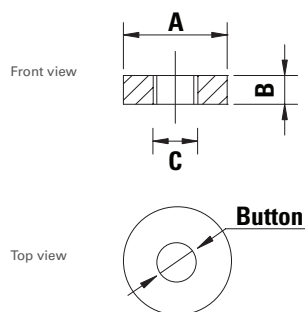
Nut & Bolt Terminals

Terminal Type	A	B	C	D	E	F	Torque NM	Torque Ft-lbs
F3 (NA)	12	5.0	12	2.0	-	5.5	4	3
F4 (NB)	14	5.0	14	2.0	6.0	-	4	3
F5 (NC)	20	7.0	18	3.0	8.0	-	11	8
F6 (ND)	16.5	8.0	17	8.0	6.0	-	5	4
F7 (NE)	17	7.0	16	6.0	6.0	-	4	3
F9 (NF)	25	12.5	25	9.0	7.0	-	11	8
F16 (NG)	22	10	22	4.0	8.5	8.5	11	8
F17 (NH)	24	11.5	24	8.0	10	-	11	8
F19 (NI)	25.4	8.5	25.4	3.0	8.0	13	7	5



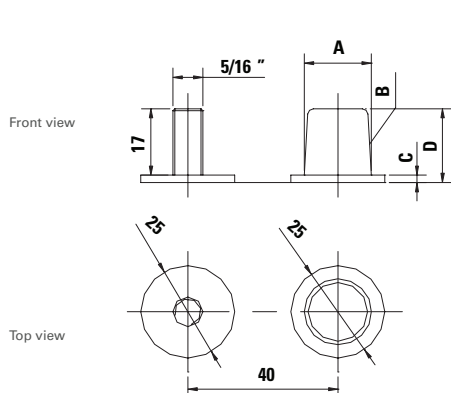
Insert Terminals

Terminal Type	A	B	C	Torque NM	Torque Ft-lbs
F10 (BA)	20	5.0	10	16	12
F10 optional (BB)	14	4.0	8	16	12
F11 (BC)	14	4.0	6	8	6
F12 (BD)	16	4.0	8	11	12
F13 (BE)	12	4.0	5	5	4
F15 (BF)	19	4.0	8	16	12
F18 (BG)	-	3.0	6	8	6
F21 (BI)	16	4.0	6	8	6
F27 (BJ)	24	4.0	8	15	11
F28 (BK)	24	6.0	10	16	12



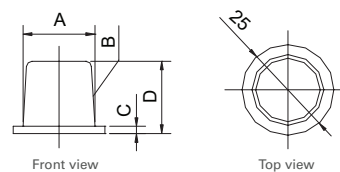
AM

Terminal Type	A	B	C	D	Torque NM	Torque Ft-lbs
Positive	19.5	1:9	2.0	20	13	9
Negative	17.9	1:9	2.0	20	13	9



SAE

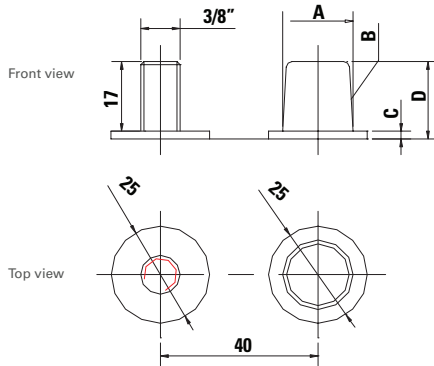
Terminal Type	A	B	C	D	Torque NM	Torque Ft-lbs
Positive	19.5	1:9	2.0	20	8	6
Negative	17.9	1:9	2.0	20	8	6



Note: Terminal dimensions are in millimeters.

AT

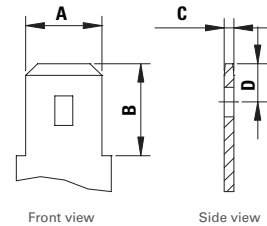
Terminal Type	A	B	C	D	Torque NM	Torque Ft-lbs
Positive	19.5	1:9	2.0	20	14	10
Negative	17.9	1:9	2.0	20	14	10



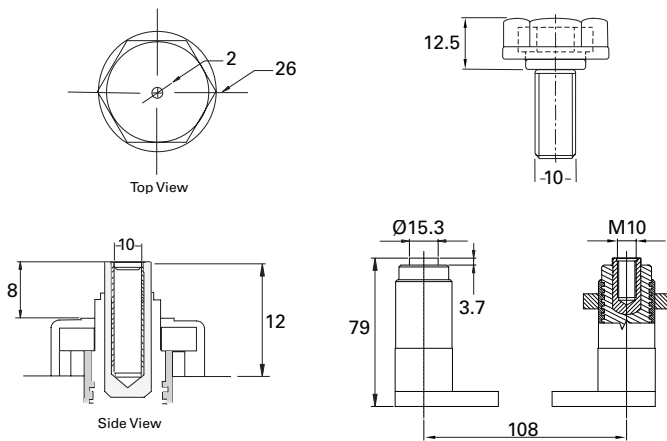
Faston Tabs

Terminal Type	A	B	C	D
F1	4.8	6.35	0.8	3.4
F2	6.35	7.8	0.8	4.0
FC*	F2(+) with F1(-)			

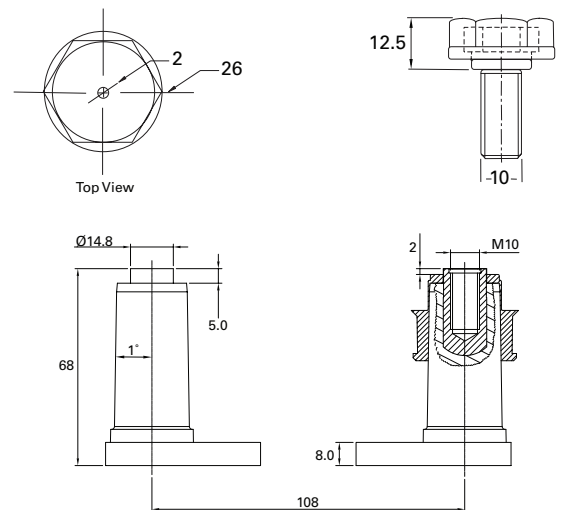
* Faston Combination



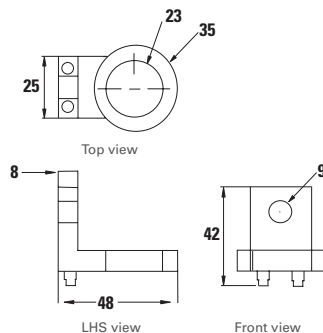
M10 Threaded Insert (Pz)



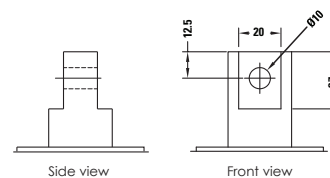
Traction (PM)



Lug (LU)



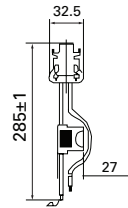
UT



Wire Leads

Code	Terminal Type
WT	TH
WS	TS
W1	T5
W2	T9
W3	T11
W4	T16
W5	T21

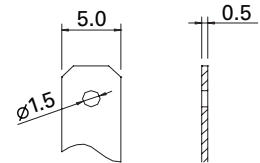
Terminal TH(T20)



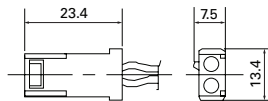
Terminal TS(T8)



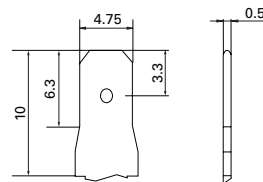
Terminal (T5)



Terminal (T9)



Terminal (T11)



Terminal (T13)

